

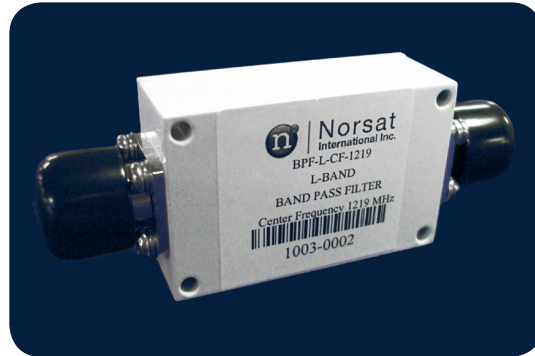


# MICROWAVE COMPONENT

## L-BAND BAND PASS FILTER

### APPLICATIONS

- Rejects terrestrial interference in L-Band
- Easily installed between the LNB and modem
- Suitable for use with Norsat's LNBs
- Environmentally sealed and moisture resistant



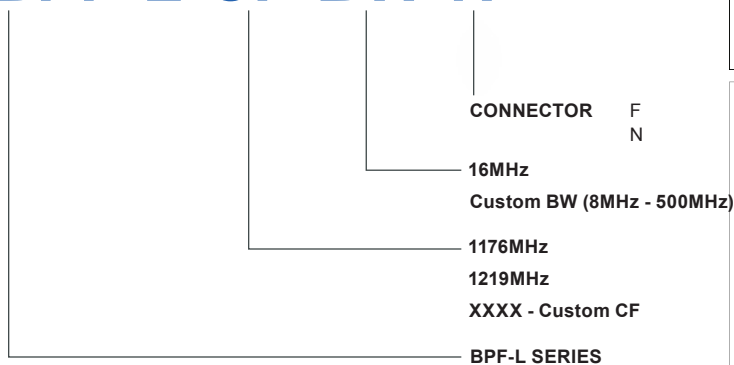
### TYPICAL SPECIFICATIONS

The Center Frequency (CF) and Bandwidth (BW) is determined by the individual customer's requirements. This is a "semi" custom unit.

Insertion Loss @CF	(3dB Typ) increases as BW decreases
Passband Definition	1.0dB
Return Loss @ BW	15dB Min
10 MHz Pass Insertion Loss	1 dB Max
DC Pass	+15 to +24VDC @ 400mA
Operation Temperature	-30 degC to +85 degC

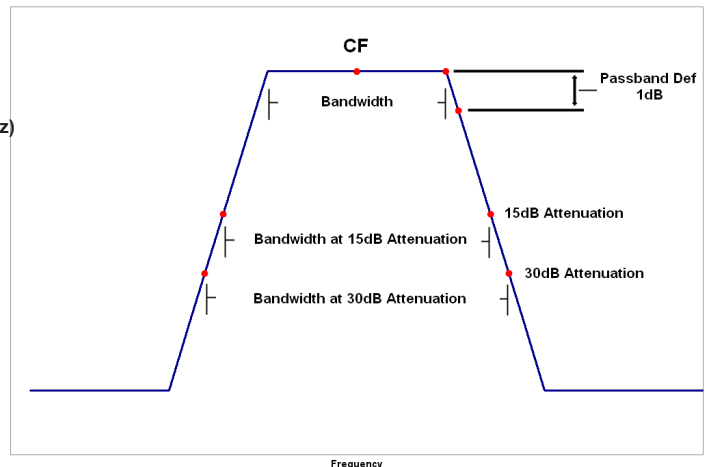
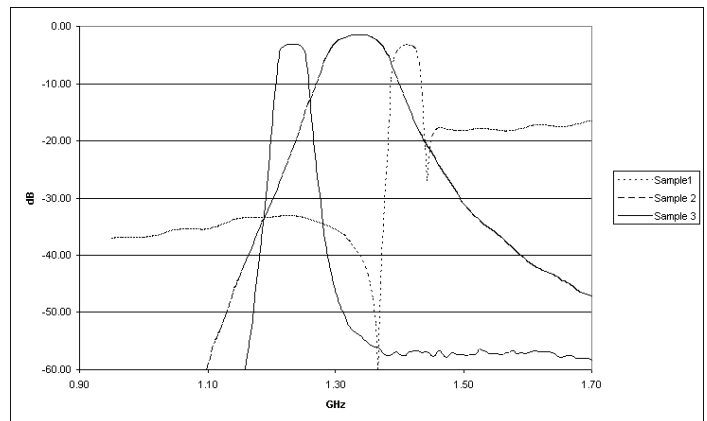
### HOW TO ORDER

## BPF-L-CF-BW-N



See pg 2 for checklist order form

### FREQUENCY PLOT



# BPF-L Requisition Form

ITEM #	PARAMETER	BASIC	EXAMPLE
1	Center Frequency (CF)	_____ MHz	1213 MHz
2	Bandwidth (BW)	_____ MHz	50 MHz
3	Insertion Loss @CF	3dB Typ (increases as BW decreases)	
4	Passband Definition	1.0dB	
5	Return Loss @ BW	15dB Min	
6	BW @ 15dB Attenuation (relative to CF)	_____ MHz	86 MHz
7	BW @ 30dB Attenuation (relative to CF)	_____ MHz	126 MHz
8	10 MHz Pass Insertion Loss	1 dB Max	
9	DC Pass	+15 to +24VDC @ 400mA	
10	Operation Temperature	-30 degC to +85 degC	

## F-Connector

	PARAMETER	SPECIFICATION
1	J1 Connector (Input) Impedance	F Female (threaded not slip-on) 75 Ohm
2	J2 Connector (Output) Impedance	F Male (threaded not slip-on) 75 Ohm

## N-Connector

	PARAMETER	SPECIFICATION
1	J1 Connector (Input) Impedance	N Female 50 Ohm
2	J2 Connector (Output) Impedance	N Female 50 Ohm

